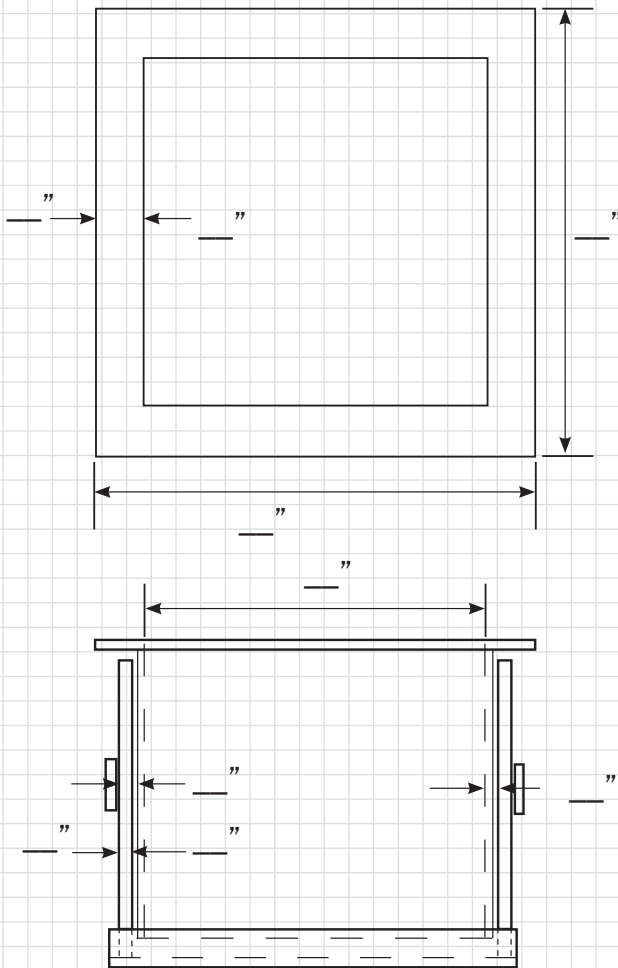


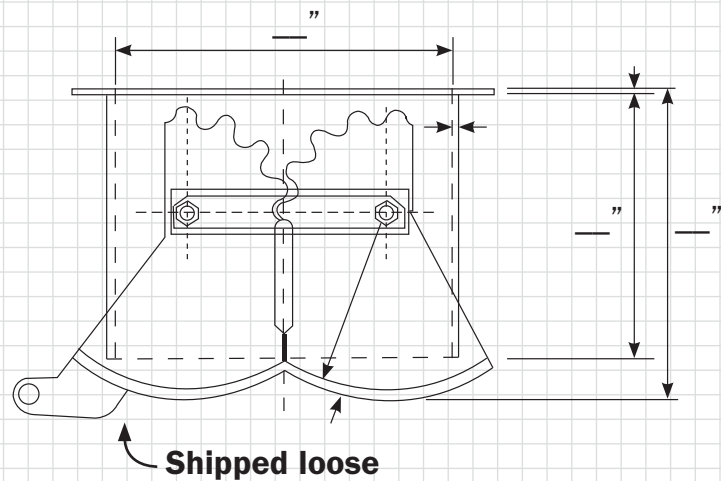
# Clamshell Gates

## Order Form



Type of Gate    \_\_\_ STD            \_\_\_ Heavy Duty  
 Type of Steel    \_\_\_ MS            \_\_\_ AR            \_\_\_ Other  
 Flange            \_\_\_ Yes            \_\_\_ No  
 Flange Dimensions (4 sides)    \_\_\_ X \_\_\_

Any special instructions \_\_\_\_\_  
 \_\_\_\_\_  
 \_\_\_\_\_  
 \_\_\_\_\_



Name \_\_\_\_\_ Company \_\_\_\_\_  
 Address \_\_\_\_\_  
 City \_\_\_\_\_ State \_\_\_\_\_ Zip \_\_\_\_\_  
 Phone \_\_\_\_\_ E-mail \_\_\_\_\_

**W.P. HILTS & COMPANY**  
*Custom Designs at Standard Prices*



Roanoke, VA | Toll free: 1-800-227-6798  
 Visit [www.wphilts.com](http://www.wphilts.com) and click the "Ask" button!